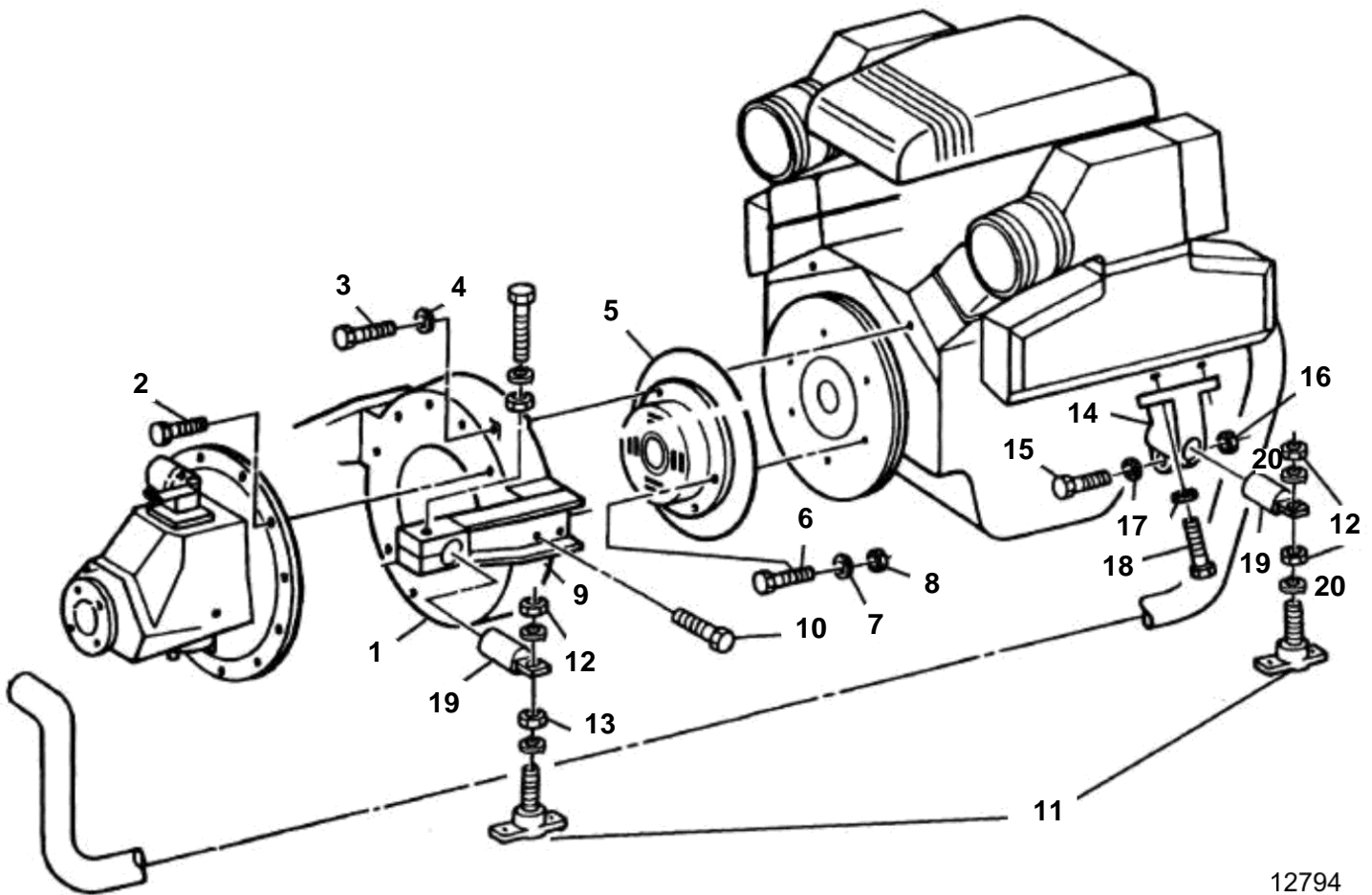


5.8FLINCC, 5.8FLINCS, 5.8FSIINCC, 5.8FSIINCS



12794

5.8FLINCC, 5.8FLINCS, 5.8FSIINCC, 5.8FSIINCS

REF	PART NO.	QTY	DESCRIPTION	NOTES
1		1	Flywheel housing	
	3853003	1	Cardboard tube	Not shown
	3852421	5	Screw, Flywheel cover to hsg	Not shown
2		9	Screw	Part not sold
3	955555	4	Hexagon screw, Flywheel housing to engine	
4	941909	6	Spring washer, Screw, flywheel housing	
5		1	Oscillation damper, Flywheel	
6		6	Stud, Dampener to flywheel	
7	3854496	6	Washer, Dampener to flywheel	
8	3854497	6	Lock nut, Dampener to flywheel	
9	3851758	2	Adapter kit, Rear mount	
10	965187	8	Flange screw, Rear engine mount to flywheel hsg	
11	857251	4	Rubber cushion	
12	955860	4	• Hexagon nut	
13	955860	2	Hexagon nut, Rear mount	
14		2	Engine mountings, Front mount to engine block	
15	955551	4	Hexagon screw, Mount assy, pin clamp	
16	950355	4	Lock nut, Mount assy, pin clamp	
17	941909	4	Spring washer, Mount assy, spring clamp	
18	3853626	4	Screw, Front mount bracket to engine	
19	841247	1	Dowel	
20	955902	4	Washer	
	941914	4	Spring washer	